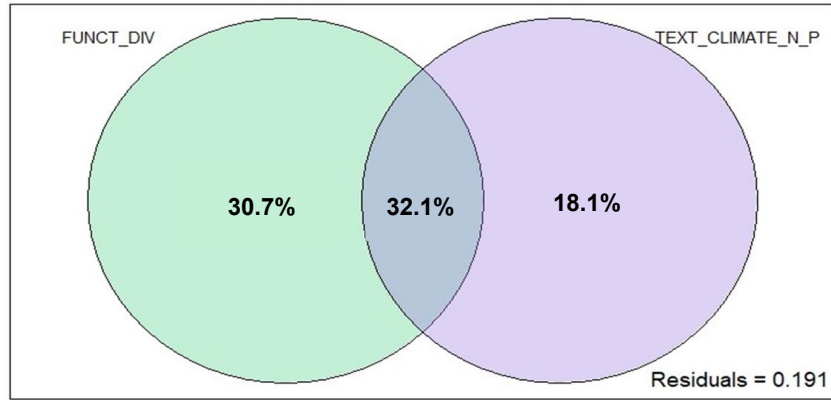
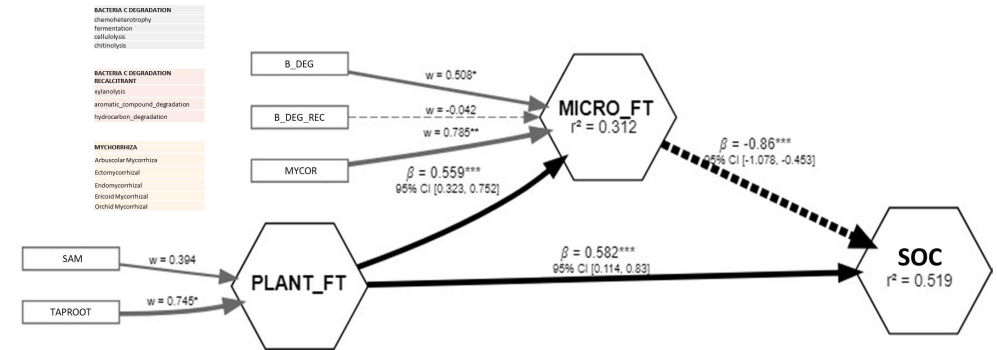


# Trying to answer burning questions on functional diversity and soil carbon that keep awake agroecologists overnight

1. Is functional diversity relevant in explaining the variation of soil carbon in agricultural fields?

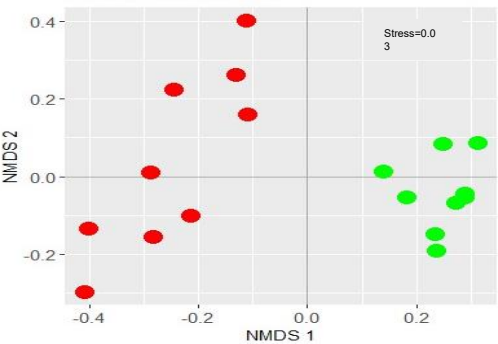


2. Given the complexity of the functional microbial groups and plants' traits, how do they interact in the context of SOC dynamics?

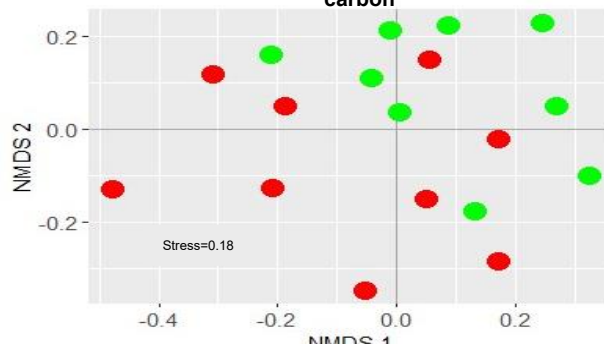


3. Do farming practices affect plants and microbial functional groups?

Non-metric multidimensional scaling on the effect of farm practice on plant functional traits

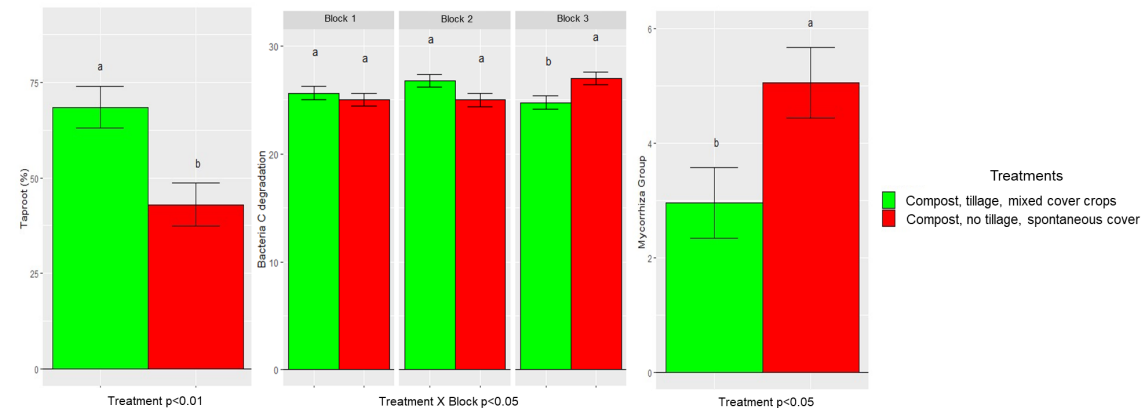


Non-metric multidimensional scaling on the effect of farm practices on microbial functional groups related to soil carbon



● Compost, tillage, mixed cover crops  
● Compost, no tillage, spontaneous cover

4. What impact does farm management have on plant and microbial functional groups relevant to soil organic carbon dynamics?



## 4. What impact does farm management have on plant and microbial functional groups relevant to soil organic carbon dynamics?

